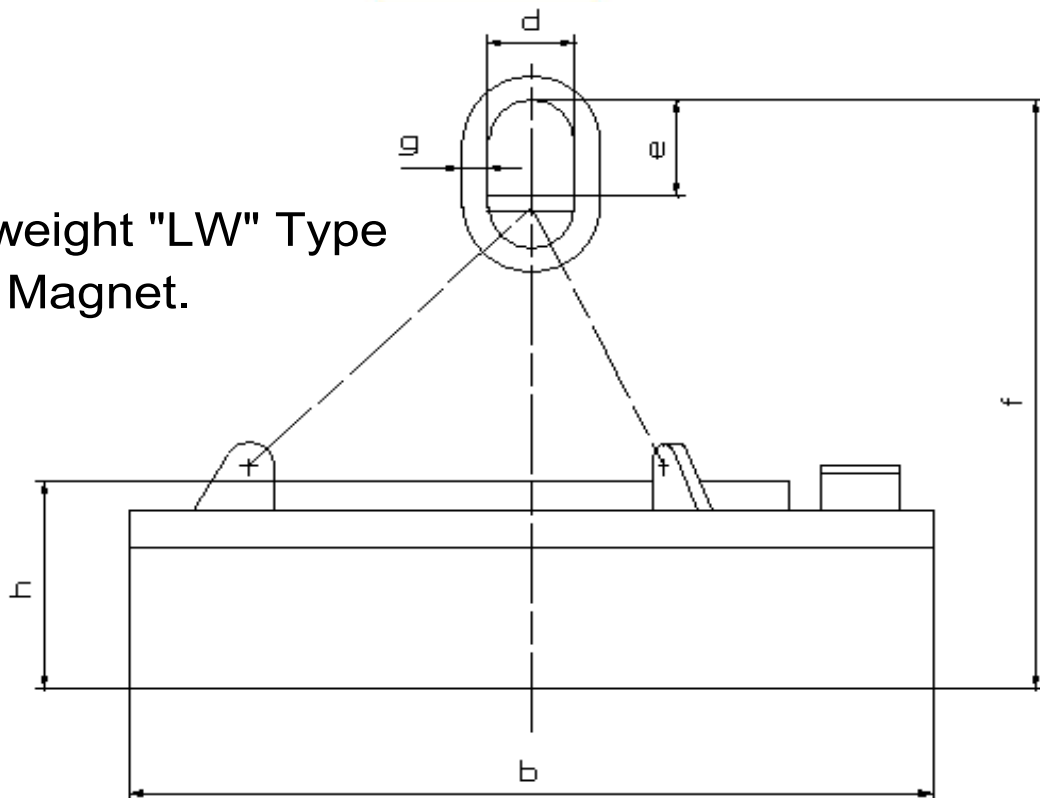


Light-weight "LW" Type
Scrap Magnet.



MAGNET TYPE	RM	950/0	1050/0	1150/0	1250/0	1350/0	1550/0	1750/0
Power consumption [W]		4'570	5'470	6'600	6'970	8'050	9'790	10'560
Voltage [V]		110	110	220	220	220	220	220
Current [A]		41.6	49.7	30.0	31.7	36.6	44.5	48.0
Dead weight [kg]		990	1'180	1'390	1'650	1'920	2'940	3'670
DIMENSIONS								
b [mm]		950	1'050	1'150	1'250	1'350	1'550	1'750
f [mm] ~		700	700	700	900	900	1100	1100
e [mm]		130	130	220	220	220	220	220
d [mm]		110	110	190	190	190	190	190
g [mm]		32	32	50	50	50	50	50
h [mm]		282	282	282	292	292	322	322
LOAD CAPACITY [kg]								
Tear-off force		21'000	22'100	24'500	27'000	29'500	45'600	50'500
Blocks and slabs		10'500	11'100	12'300	13'500	14'800	22'800	25'300
Pig iron		810	850	940	1'040	1'130	1'750	1'940
Cast steel fragment		750	790	880	960	1'050	1'630	1'800
Main scrap		700	740	820	900	980	1'520	1'680
Metal chips		350	370	410	450	490	760	840